

Product Male cable connector red
Area Snap-in connectors IP 67

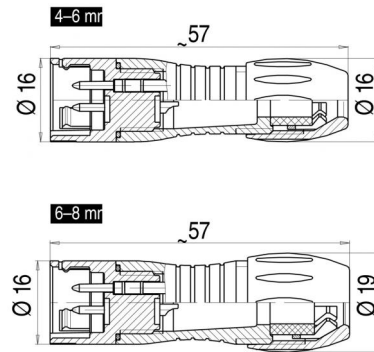
serie 720

Pole 3
Article number 99 9105 50 03

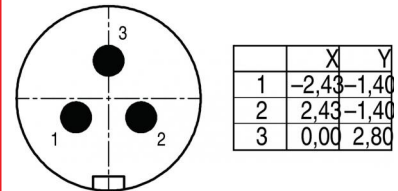
illustration



scale drawing



Contact Arrangement



You can find the item description on the next page.

Technical data

Common values

Connector Design	Male cable connector
Connector locking system	Snap-in locking
Termination	solder
Wire gauge (mm)	0,75 mm ²
Wire gauge (AWG)	20
Cable outlet	4 - 6 mm
Upper temperature	+85 °C
Lower temperature	-40 °C

Material

Material of contact	CuZn (brass)
Contact plating	Au (gold)
Material of contact body	PA (UL 94 V-0)
Material of housing	PA (UL 94 V-0)

Cable data

Contacts 3, male cable connector, red, cable outlet 4 - 6 mm

Electrical values

Rated voltage	250 V
Rated impulse voltage	2500 V
Pollution degree	2
Overvoltage category	II
Material group	II
Rated current (40°C)	7 A
Volume resistivity	≤ 3 mΩ
EMV compliance	not shielded
Degree of protection	IP 67
Mechanical operation	>500 mating cycles



Product Area	Male cable connector red Snap-in connectors IP 67	serie 720	Pole Article number	3 99 9105 50 03
--------------	------------------------------------------------------	-----------	---------------------	--------------------

Item description

