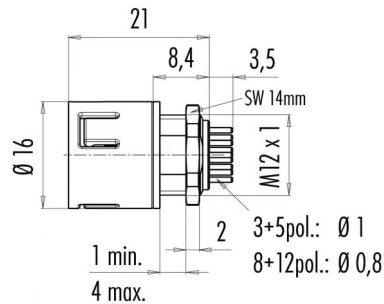


|              |  |           |                |                |
|--------------|--|-----------|----------------|----------------|
| Product Area | Flanschstecker, tauchlöten<br>Snap-in connectors IP 67 | serie 720 | Pole           | 5              |
|              |  |           | Article number | 99 9115 090 05 |

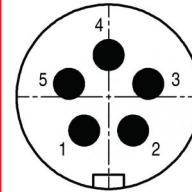
illustration



scale drawing



Contact Arrangement



|   | X     | Y     |
|---|-------|-------|
| 1 | -1,82 | -2,51 |
| 2 | 1,82  | -2,51 |
| 3 | 2,95  | 0,96  |
| 4 | 0,00  | 3,10  |
| 5 | -2,95 | 0,96  |

You can find the item description and assembly instruction on the next page.

Technical data

Common values

|                   |                           |
|-------------------|---------------------------|
| Termination       | dip solder                |
| Wire gauge (mm)   | max. 0,75 mm <sup>2</sup> |
| Upper temperature | +85 °C                    |
| Lower temperature | -25 °C                    |

Material

|                          |                |
|--------------------------|----------------|
| Material of contact body | PA (UL 94 V-0) |
| Material of housing      | PA (UL 94 HB)  |

Cable data

Polzahl: 5, Flanschstecker schwarz, tauchlöten

Electrical values

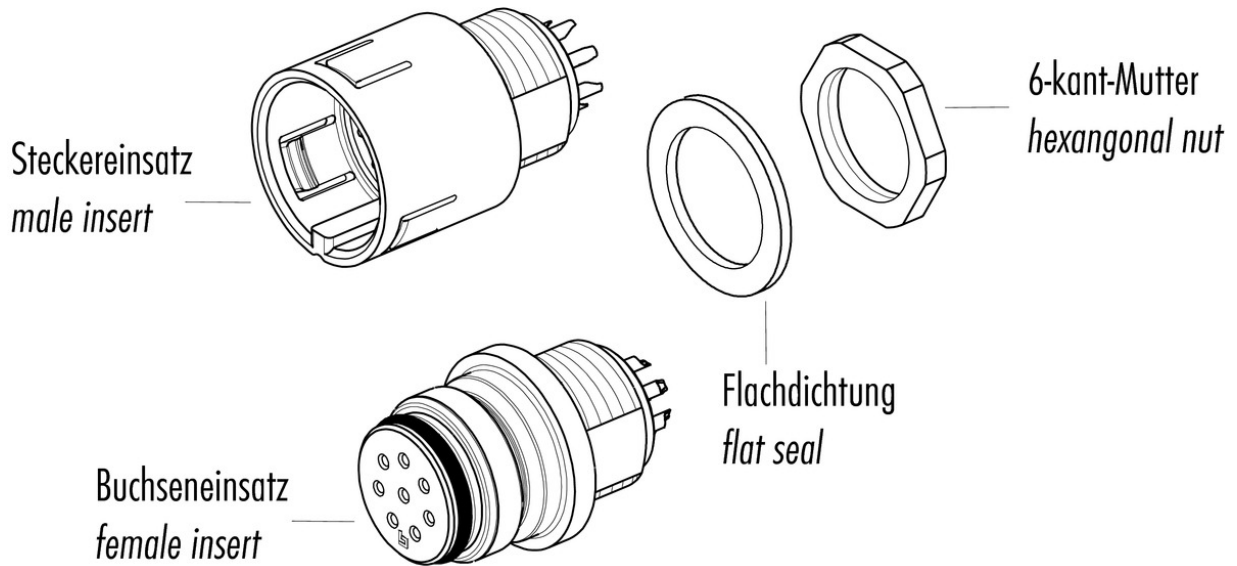
|                       |                    |
|-----------------------|--------------------|
| Rated voltage         | 125 V              |
| Rated impulse voltage | 1500 V             |
| Pollution degree      | 2                  |
| Overvoltage category  | II                 |
| Material group        | II                 |
| Rated current (40°C)  | 5 A                |
| Volume resistivity    | ≤ 3 mΩ             |
| Degree of protection  | IP 67              |
| Mechanical operation  | >500 mating cycles |



|              |  |           |                        |                     |
|--------------|--|-----------|------------------------|---------------------|
| Product Area | Flanschstecker, tauchlöten<br>Snap-in connectors IP 67 | serie 720 | Pole<br>Article number | 5<br>99 9115 090 05 |
|--------------|--|-----------|------------------------|---------------------|

Date: 2014-07-20 - Page 2 of 2

Item description



Installation instructions / Mounting cutout

