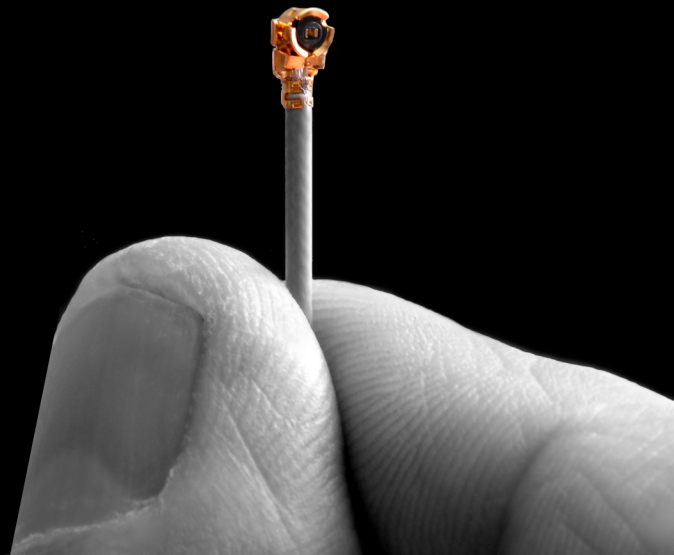


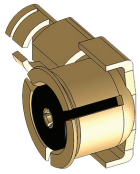


DELTA
Electronics Mfg. Corp.



MHF / U.FL
Miniature Coaxial
Interconnect System





Miniature Coaxial Interconnect systems



Introduction

The Delta MHF/U.FL series ultra miniature coaxial interconnect system is designed for use in today's compact wireless devices. Its low mated height of less than 2.5mm, and equally small footprint of just 7.7mm² are impressive for a connector with an operational frequency range of DC to 6 GHz. Packaged on tape and reel, the receptacles are designed to be placed with automatic "pick and place" equipment. The plugs are ordered on cable assemblies with a variety of ultra fine coaxial cables, as well as a few select RG type cables. These assemblies can be configured in MHF/U.FL plug to MHF/U.FL plug, MHF/U.FL pigtail, as well as MHF/U.FL plug to multiple standard connector options such as: SMA, MCX, MMCX and others. See the illustration below for information required for constructing a Delta part number to describe your specific configuration.

Specifications

Electrical Specifications:

Nominal Impedance: 50 Ohms
 Frequency Range: DC to 6 GHz
 VSWR: 1.35 max
 Voltage Rating : 170V max
 DWV: 200 Vrms
 Contact Resistance:
 Center Contact: 6 megohms max
 Outer Contact: 2 megohms max
 Insulation Resistance: 5,000 megohms

Mechanical Specifications:

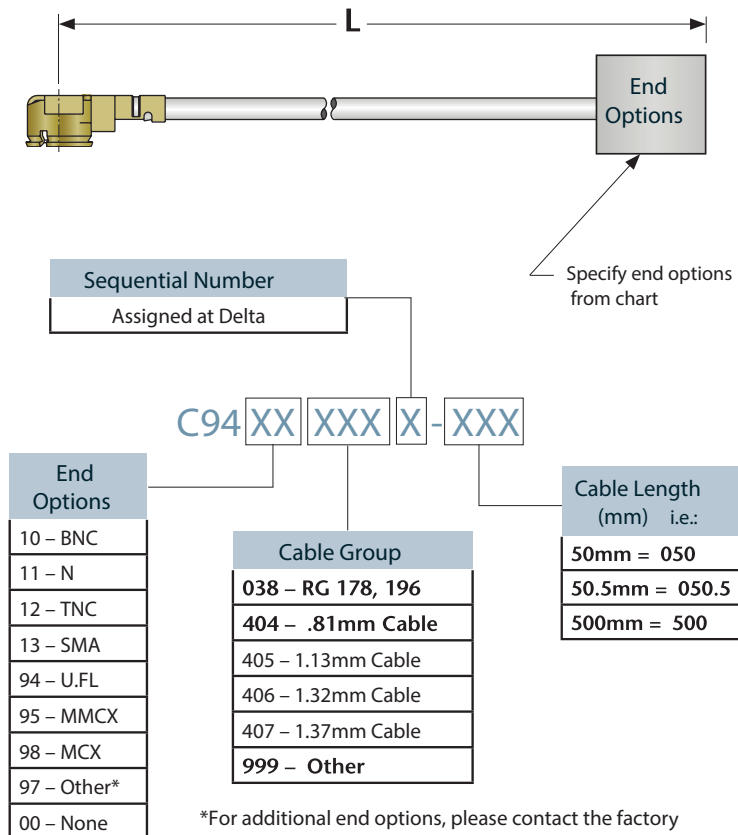
Operating Temperature: -40°C to +90°C

Materials:

Outer Contact: Phosphor Bronze, Au Over Ni
 Center Contact: Phosphor Bronze, Au Over Ni
 Insulator: Polybutylene Terephthalate (PBT)

RoHS Compliant: Yes

How to specify MHF/U.FL Cable Assemblies

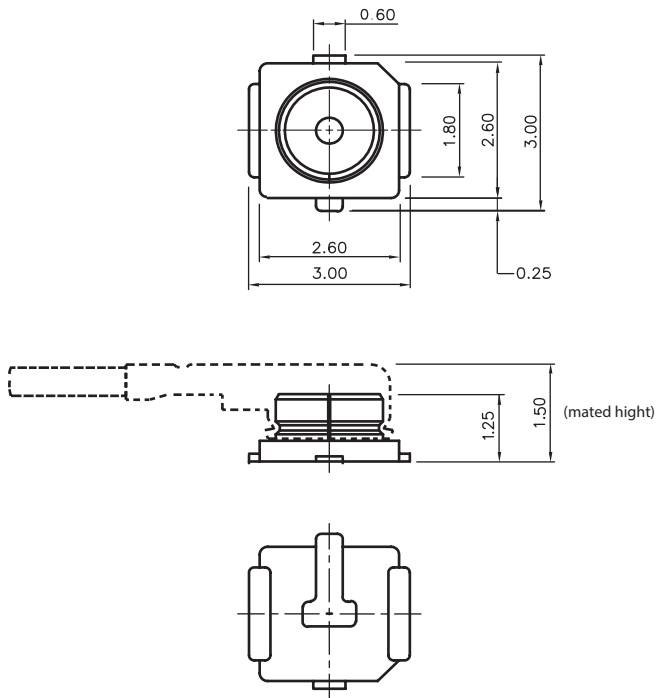


Applications

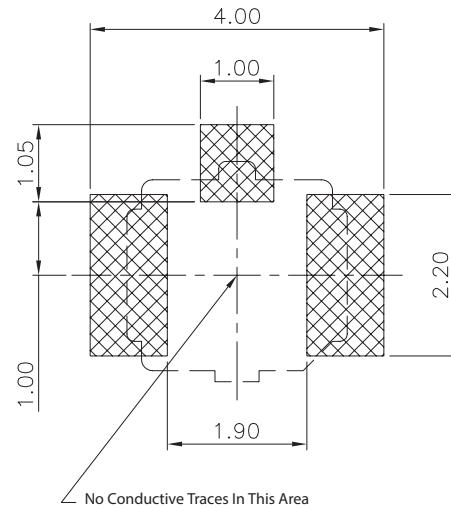
Due to their incredibly small size and operational frequency range, MHF/U.FL connectors and assemblies are ideally suited for applications in mobile phones, wireless communication devices, instrumentation, test points, GPS, Bluetooth, and all applications requiring a compact, high frequency (6 GHz), coaxial connection.



Receptacles



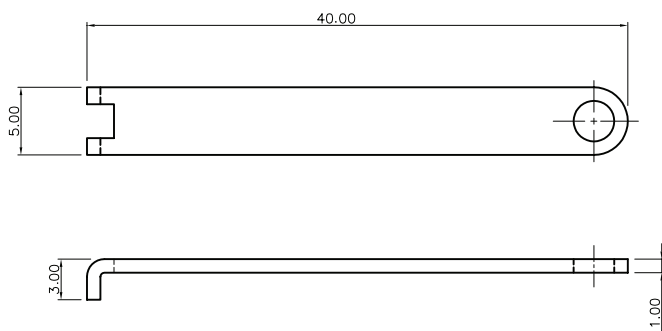
9467000G91P-503*



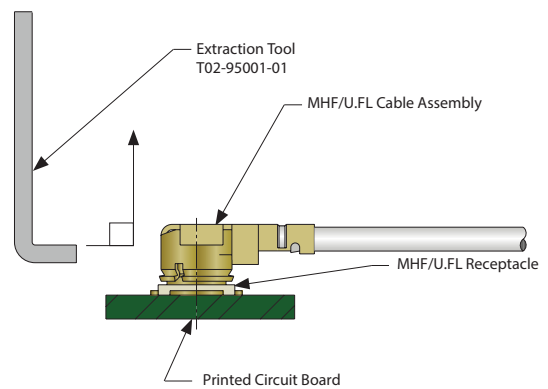
Recommended PCB Mounting Pattern

*Receptacles sold tape and reel (5,000 pcs per reel), for quantities less than 5,000 pcs use Delta P/N: 9467000G91P-502

Plug Extraction Tool



**T02-95001-01
Extraction Tool**

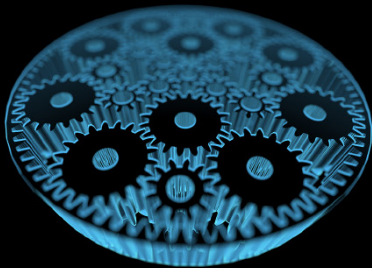


Proper Mating

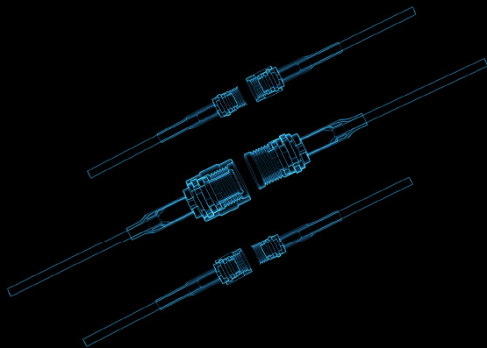
- 1) To disconnect connectors, insert the end portion of extraction tool #T02-95001-01 under the flanges of the plug and pull straight up, in the direction of the connector mating axis.
- 2) To mate the connectors, the mating axes of both connectors must be aligned before attempting to mate. A tactile "click" will confirm the fully mated position.
Note: Proper vertical alignment must be maintained during mating and unmating.



CREATE



COLLABORATE



CONNECT



Delta Electronics Mfg. Corp.

www.deltarf.com
978-927-1060
sales@deltarf.com

PO Box 53
416 Cabot St.
Beverly, MA 01915

