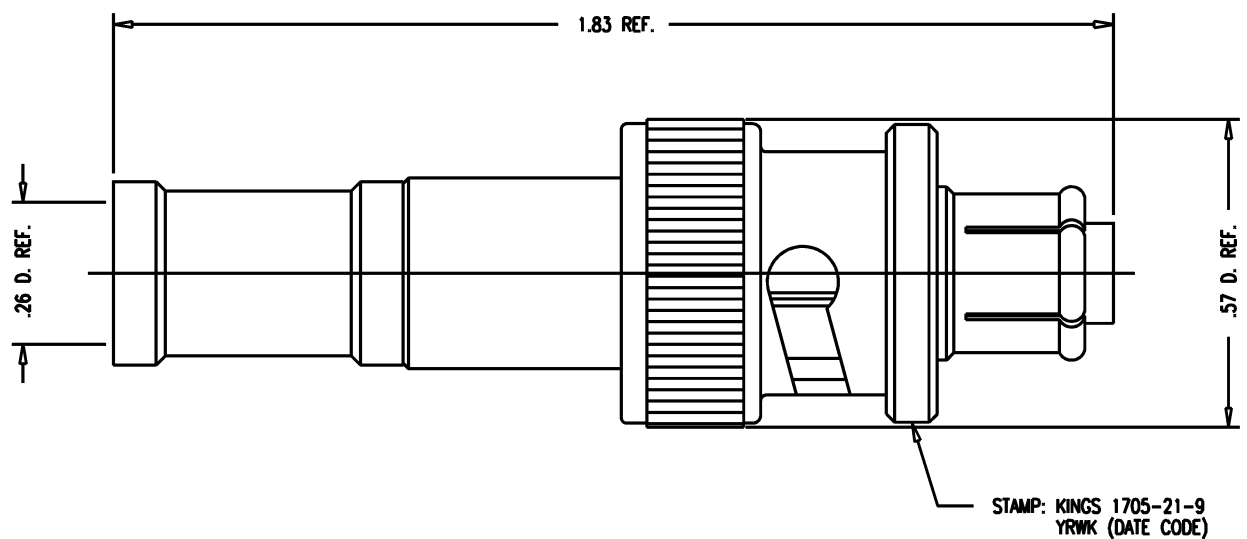


DASH NO.	M CODE	MADE FROM
----------	--------	-----------

GSD

1705-21-9

REVISIONS	
ISSUE	CHANGES
0	ER 36252 ME 04/27/95
1	CN 36541 C ME 08/31/95
2	CN 37799 E TML 03/09/99



- NOTES:
- FOR USE WITH RG-59, 62 & 210/U CABLE.
 - FOR CABLING INSTRUCTIONS SEE CP-441.
 - FOR CABLE TRIMMING USE KTJ-72 & KTD-134.
 - FOR CRIMPING USE DIE KTH-2062.
 - INTERFACE PER MIL-STD-348, FIGURE 314-2.
 - MATERIALS:
INSULATOR: TEFLON, ASTM-D-1457
GASKET: SILICONE RUBBER, ZZ-R-765
K-GRIP SLEEVE: COMMERCIAL BRONZE TUBE, ALLOY 220
SPRING WASHER & CONTACTS: BER. COP., ASTM-B-196
ALL OTHER PARTS: BRASS, ASTM-B16
 - FINISHES:
CENTER CONTACT: GOLD PLATE PER MIL-G-45204
SPRING WASHER: SILVER PLATE PER QQ-S-365
ALL OTHER METAL PARTS: KINGS TARNISH RESISTANT NICKEL FINISH (TR-5)
 - ELECTRICAL CHARACTERISTICS:
OPERATING VOLTAGE: 3500 VOLTS AC
6000 VOLTS DC

OGS0162

SCALE 4:1	
APPROX SURFACE AREA	
USED ON	
REF:	
PLUG, SHV, M (6KV)	
DRAWN ME	DATE 04/27/95
DESIGN AR	DATE 04/27/95
APPR. VLS	DATE 04/28/95

GSD

KINGS ELECTRONICS CO., INC. TUCKAHOE, NEW YORK 10707	
1705-21-9	