

RJ45 INSTALLATION HOUSING SET

Insulation displacement termination version

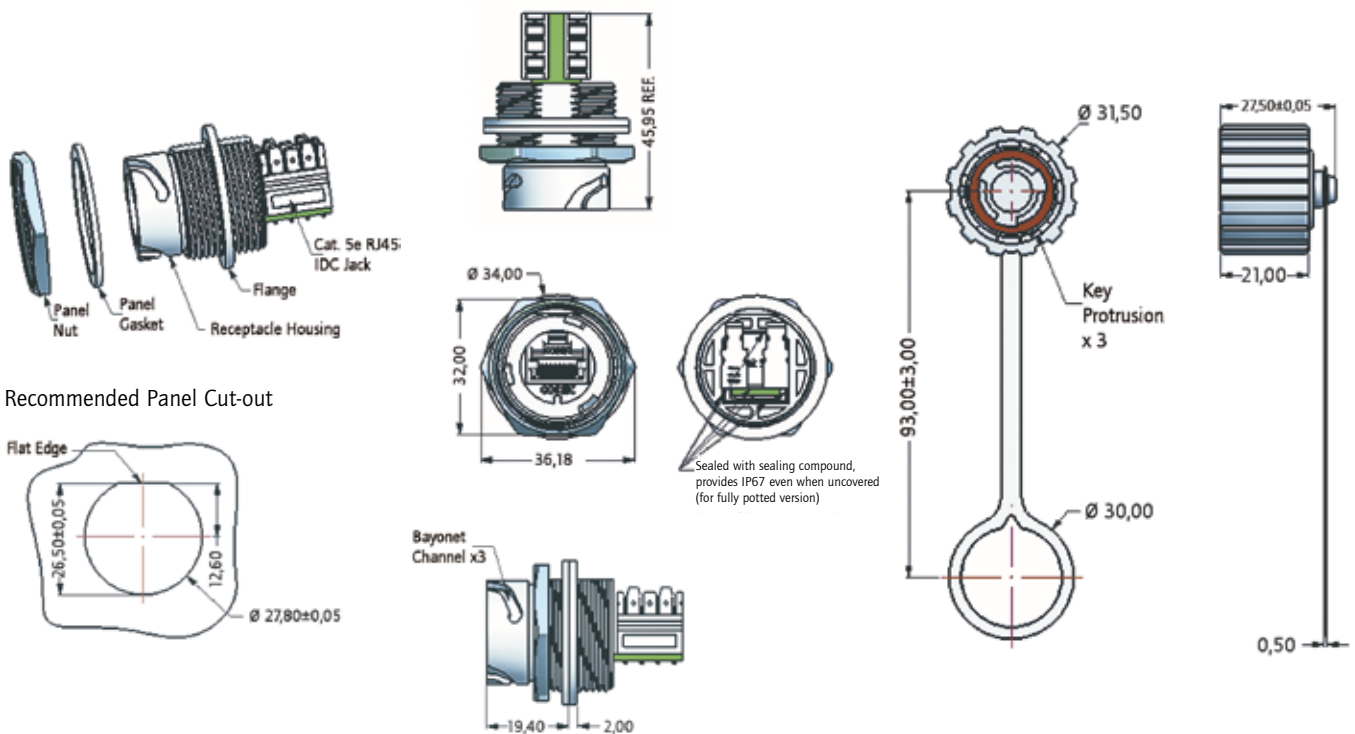


RoHS compliant

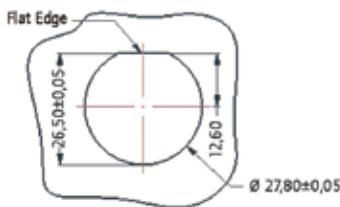
DESCRIPTION

- For front or rear panel mounting up to wall thickness of .013"/3.2 mm
- Design: Black plastic or metallized plastic
- Shielded RJ45 plug connector, insulation displacement termination (IDC) Cat.5e
- Available as a set with protection cap

PRODUCT DRAWING



Recommended Panel Cut-out



ORDER DATA

Type	Material	RJ45 Cat.5e design	Sealing	Protection cap	Part Number
Housing	Black plastic	Socket IDC-termination / Shielded			17-10015
Housing	Metallized plastic	Socket IDC-termination / Shielded			17-10016
Housing	Black plastic	Socket IDC-termination / Shielded	Sealing compound		17-10033
Housing	Metallized plastic	Socket IDC-termination / Shielded	Sealing compound		17-10034
Housing	Black plastic	Socket IDC-termination / Shielded		With protection cap	17-10021
Housing	Metallized plastic	Socket IDC-termination / Shielded		With protection cap	17-10022
Housing	Black plastic	Socket IDC-termination / Shielded	Sealing compound	With protection cap	17-10037
Housing	Metallized plastic	Socket IDC-termination / Shielded	Sealing compound	With protection cap	17-10038