

USB 2.0 CONNECTOR SET

Standard version – Bayonet locking type

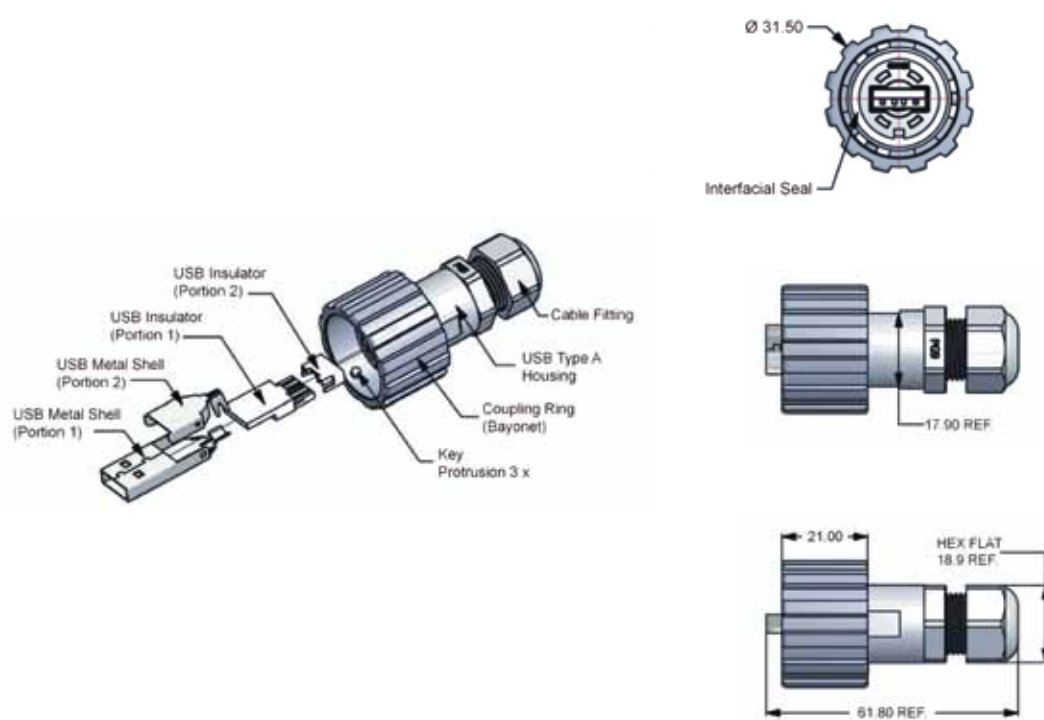


RoHS compliant

DESCRIPTION

- Design: Black plastic
- USB Connector per USB 2.0 specification Type A
- Bayonet locking per IEC 61076-3-106

PRODUCT DRAWING



ORDER DATA

Type	Material	Termination	Part Number
Connector set	Black plastic	Bayonet locking	17-200121