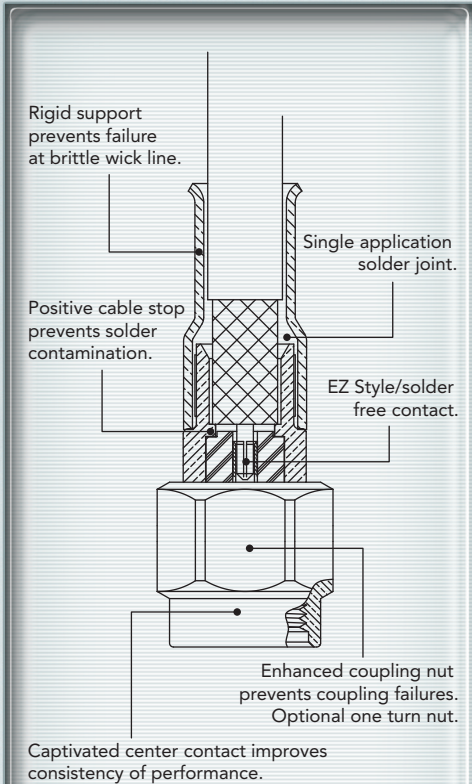


eSMA Connectors & Assemblies



Cable Assembly Performance

Frequency:	DC to 20 GHz
VSWR:	1.17:1
Intermodulation:	< -150 dBc Typ. (2 x 20 watt carriers)
DWV:	750 Vrms
Insulation Resistance:	10,000 megohms
Temperature Range:	- 40°C to +125°C

Mechanical Performance

Interfaces:	Per MIL-STD-348
Coupling Proof Torque:	15 inch lbs
Coupling Nut Retention:	60 lbs axial
Durability:	100 cycles

Connector Materials

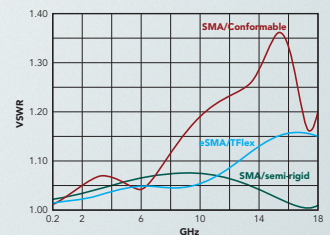
Contact:	BeCu, Au/Ni plate
Locking Ring:	BeCu
Coupling Nut:	Stainless steel
Crimp Ferrule:	Soft Cu, Au/Cu plate
Body:	Brass, Au/Cu plate
Insulator:	PTFE
Gasket:	Si Rubber



e is for extended

Extended performance, extended reliability, extended applications— eSMA™ connectors from San-tron are breaking the limits of standard SMA connections with a re-engineered mechanical design. Internal design innovations have led to VSWR performance of 1.17 through 20 GHz when coupled with Times TFlex® cable. This allows you to consider these flexible assemblies as alternatives to semi-rigid and Conformable® assemblies. External changes include an extended ferrule which protects the brittle solder wick line from excessive bends. eSMAs also feature failure proof coupling nuts with optional one turn coupling. They're available as straight plugs (shown) as well as straight, bulkhead, and panel jacks.

e. It means everything when you need the optimal SMA connection.



978-356-1585 | santron.com

ISO 9001 CERTIFIED



RoHS COMPLIANT

Engage with San-tron