

6

5

4

3

2

1

D

D

C

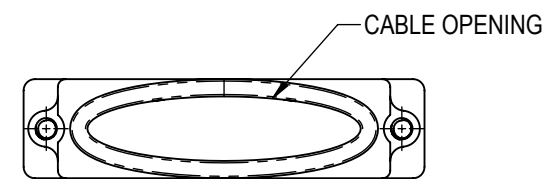
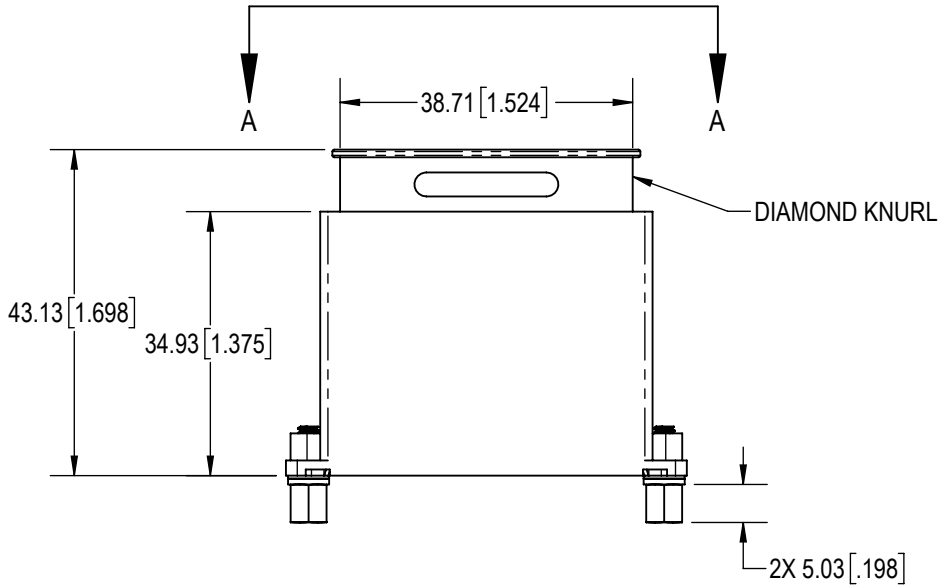
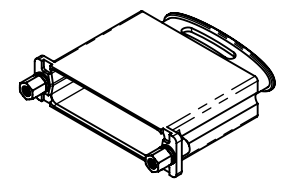
C

B

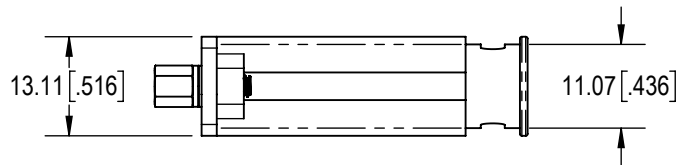
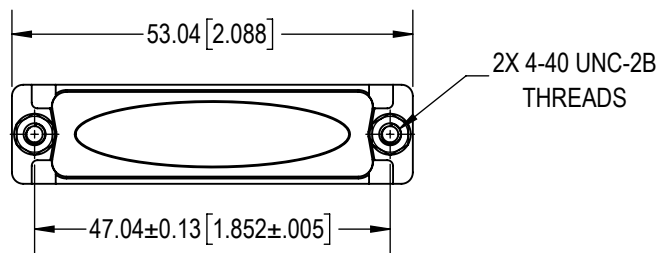
B

A

A



AUXILIARY A-A



NOTES:

- MATERIAL AND FINISHES:
HOOD: ALUMINUM, ELECTROLESS NICKEL PLATE.
JACKSCREWS: STAINLESS STEEL, PASSIVATED.
WASHERS: STAINLESS STEEL, PASSIVATED.
- DETAILED PRODUCT, MECHANICAL AND ELECTRICAL INFORMATION IS AVAILABLE IN THE LATEST D-SUB ACCESSORIES PRODUCT PUBLICATION AT CONNECTPOSITRONIC.COM.
- PRODUCT IS COMPLIANT TO THE CURRENT RoHS DIRECTIVE.

BY	SS	CHK	AB	3RD ANGLE	<small>POSITRONIC BELIEVES THE DATA ON THE DRAWING TO BE RELIABLE. THE USER EMPLOYS SUCH INFORMATION AT HIS OWN DISCRETION AND RISK. POSITRONIC ASSUMES NO RESPONSIBILITY FOR RESULTS OBTAINED OR DAMAGES INCURRED FROM USE OF SUCH INFORMATION IN WHOLE OR IN PART.</small>	 Positronic® <small>CONNECTPOSITRONIC.COM</small>
APR	AB	RELEASED DATE:	2024-10-11			
TOLERANCES				SCALE	PART NUMBER	
<small>±0.03mm [.001 INCHES] FOR MALE CONTACT MATING DIAMETERS ±0.08mm [.003 INCHES] FOR CONTACT TERMINATION DIAMETERS ±0.13mm [.005 INCHES] FOR ALL OTHER DIAMETERS ±0.38mm [.015 INCHES] FOR ALL OTHER DIMENSIONS +5° FOR ALL ANGLES DIMENSION ARE IN MILLIMETERS [INCHES]</small>				NTS	D25000XPNT20/AA	SERIES D
				TITLE D25000XPNT20/AA		
				CREATED ON:	SHEET	REV
				2024-10-11	SHEET 1 OF 1	A

6

5

4

3

2

1