

6

5

4

3

2

1

D

D

C

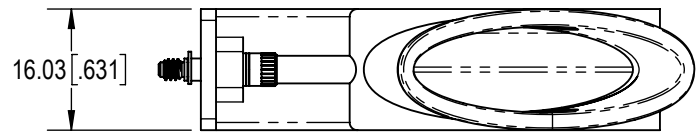
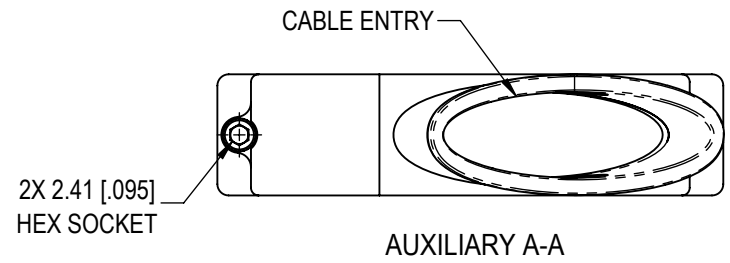
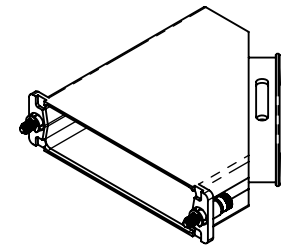
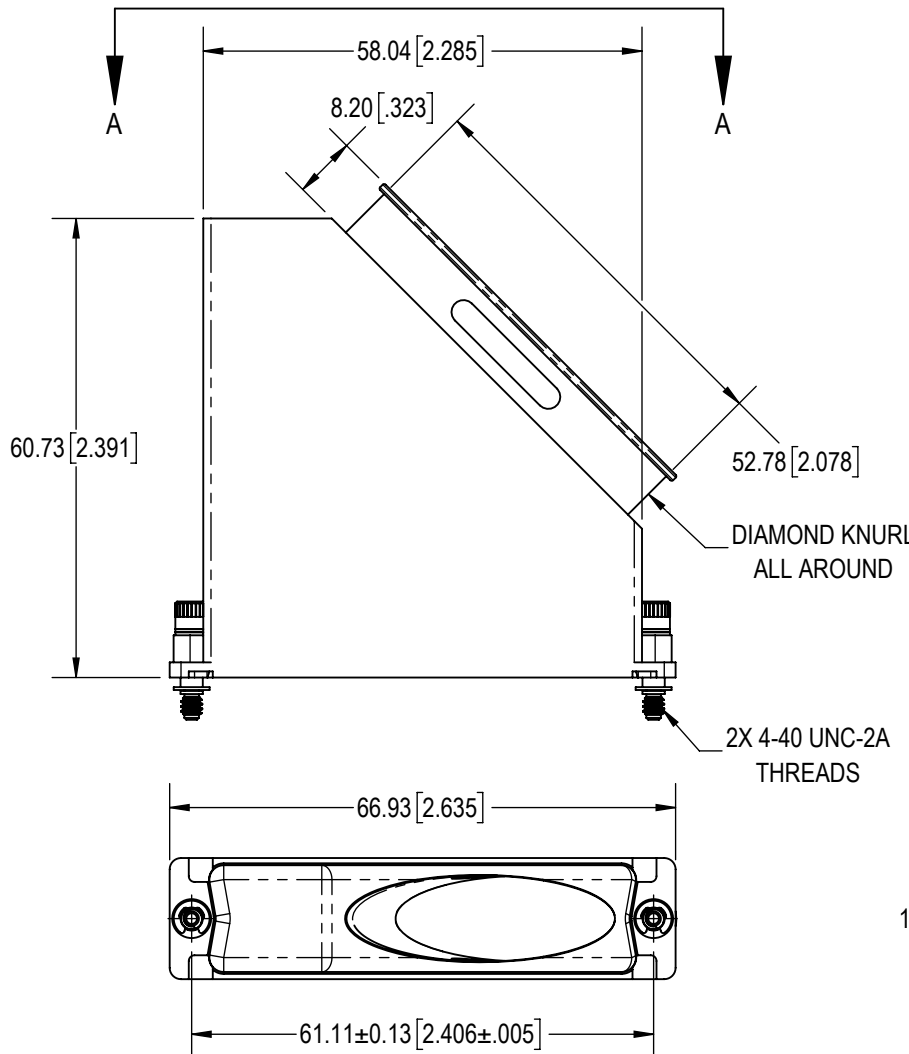
C

B

B

A

A



**NOTES:**

- MATERIAL AND FINISHES:**  
 HOOD: ALUMINUM, ELECTROLESS NICKEL PLATE.  
 JACKSCREWS: STAINLESS STEEL, PASSIVATED.  
 WASHERS: ALUMINUM, ELECTROLESS NICKEL PLATE.  
 RETAINING RINGS: STAINLESS STEEL, PASSIVATED.
- DETAILED PRODUCT, MECHANICAL AND ELECTRICAL INFORMATION IS AVAILABLE IN THE LATEST D-SUB ACCESSORIES PRODUCT PUBLICATION AT [CONNECTPOSITRONIC.COM](http://CONNECTPOSITRONIC.COM).
- PRODUCT IS COMPLIANT TO THE CURRENT RoHS DIRECTIVE.

BY SS	CHK AP	3RD ANGLE 	POSITRONIC BELIEVES THE DATA ON THE DRAWING TO BE RELIABLE. THE USER EMPLOYS SUCH INFORMATION AT HIS OWN DISCRETION AND RISK. POSITRONIC ASSUMES NO RESPONSIBILITY FOR RESULTS OBTAINED OR DAMAGES INCURRED FROM USE OF SUCH INFORMATION IN WHOLE OR IN PART.	 <b>Positronic</b> CONNECTPOSITRONIC.COM
APR AB	RELEASED DATE: 2024-12-04	SCALE NTS		
TOLERANCES ±0.03mm [.001 INCHES] FOR MALE CONTACT MATING DIAMETERS ±0.08mm [.003 INCHES] FOR CONTACT TERMINATION DIAMETERS ±0.13mm [.005 INCHES] FOR ALL OTHER DIAMETERS ±0.38mm [.015 INCHES] FOR ALL OTHER DIMENSIONS ±5° FOR ALL ANGLES DIMENSION ARE IN MILLIMETERS [INCHES]		PART NUMBER D50000XKNE0/AA	SERIES D	
		TITLE D50000XKNE0/AA		
CREATED ON: 2024-12-03		SHEET SHEET 1 OF 1	REV C	

6

5

4

3

2

1