

6

5

4

3

2

1

D

D

C

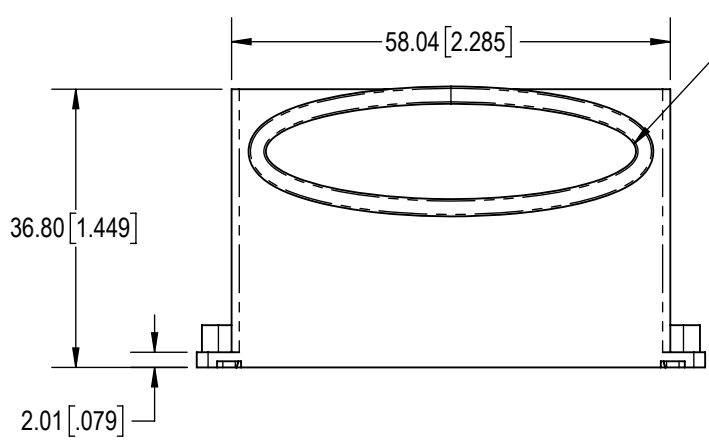
C

B

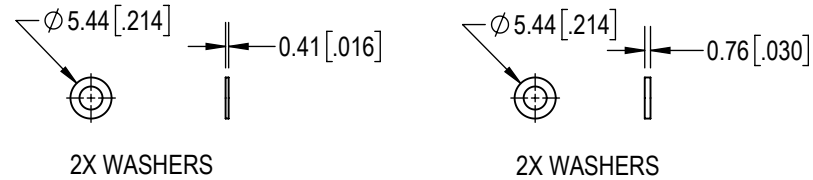
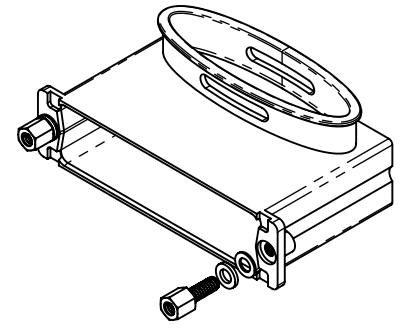
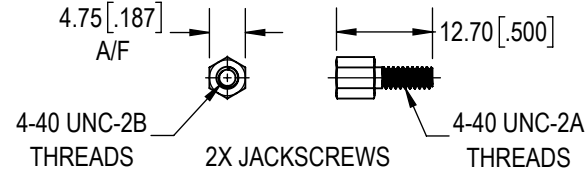
B

A

A

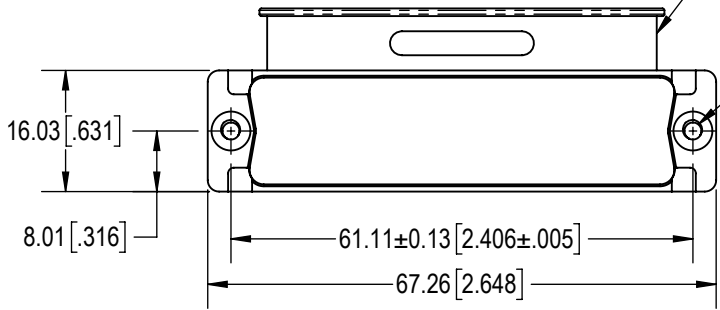


CABLE ENTRY

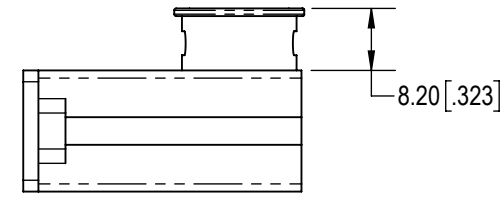


DIAMOND KNURL ALL AROUND

2X 4-40 UNC-2B THREADS



BACKSHELL



NOTES:

- MATERIAL AND FINISHES:
 BACKSHELL: ALUMINUM, ELECTROLESS NICKEL FINISH.
 JACKSCREWS: STAINLESS STEEL, PASSIVATED.
 WASHERS: STAINLESS STEEL, PASSIVATED.
- DETAILED PRODUCT, MECHANICAL AND ELECTRICAL INFORMATION IS AVAILABLE IN THE LATEST D-SUB PRODUCT PUBLICATION AT CONNECTPOSITRONIC.COM.
- PRODUCT IS COMPLIANT TO THE CURRENT RoHS DIRECTIVE.

BY	SS	CHK	AP	3RD ANGLE	POSITRONIC BELIEVES THE DATA ON THE DRAWING TO BE RELIABLE. THE USER EMPLOYS SUCH INFORMATION AT HIS OWN DISCRETION AND RISK. POSITRONIC ASSUMES NO RESPONSIBILITY FOR RESULTS OBTAINED OR DAMAGES INCURRED FROM USE OF SUCH INFORMATION IN WHOLE OR IN PART.	 Positronic [®] CONNECTPOSITRONIC.COM
APR	AB	RELEASED DATE: 2023-08-13				
TOLERANCES				SCALE	NTS	PART NUMBER D50000XRNT20/AA
±0.03mm [.001 INCHES] FOR MALE CONTACT MATING DIAMETERS ±0.08mm [.003 INCHES] FOR CONTACT TERMINATION DIAMETERS ±0.13mm [.005 INCHES] FOR ALL OTHER DIAMETERS ±0.38mm [.015 INCHES] FOR ALL OTHER DIMENSIONS *5° FOR ALL ANGLES DIMENSION ARE IN MILLIMETERS [INCHES]				SERIES D-SUB		
TITLE				D50000XRNT20/AA		
CREATED ON:		SHEET		REV		
2023-08-11		SHEET 1 OF 1		B		

6

5

4

3

2

1