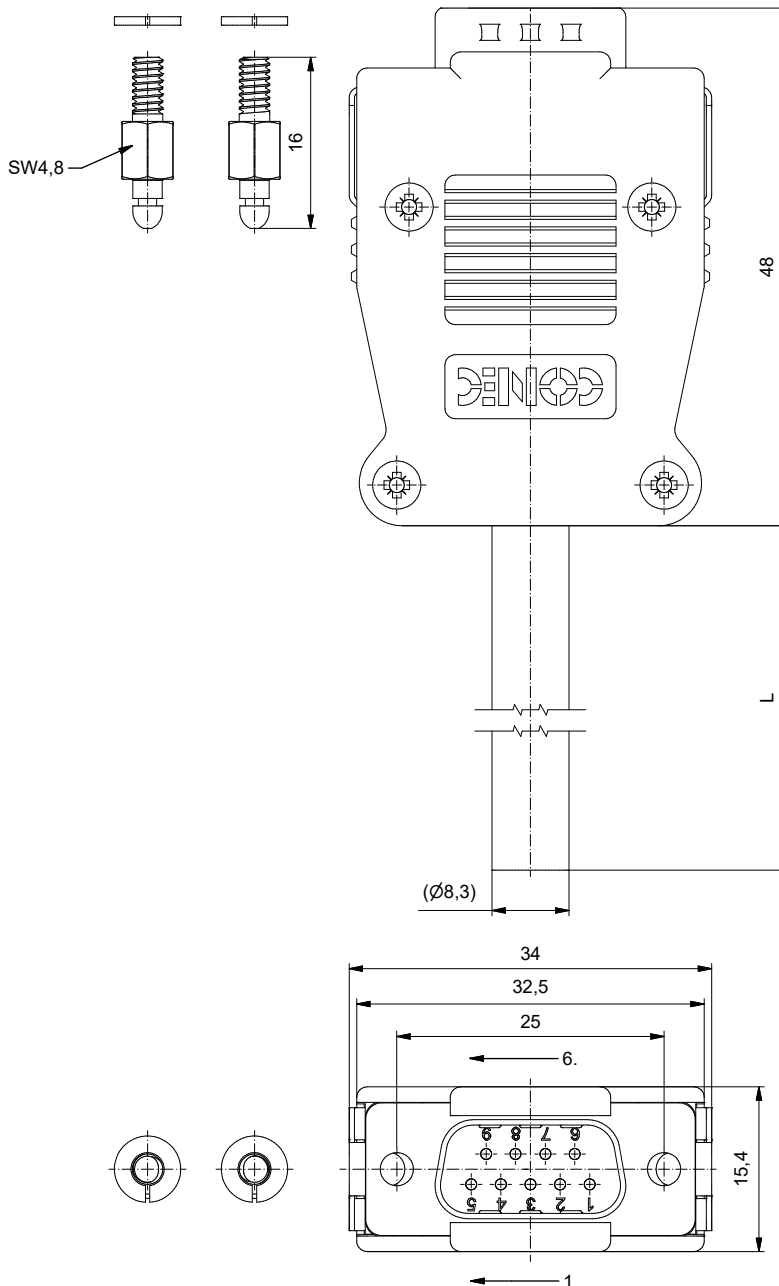


**Materials SnapLock hood/
Werkstoffe SnapLock Haube:**

Hood/ Haube:	ABS UL 94 V-0, Ni
Blanking plug/ Blindstopfen:	ABS UL 94 V-0, Ni
Cable strain relief/ Zugentlastung:	Steel, Ni
Clip/ Clip:	Stainless Steel/ Edelstahl
Countersunk-head screw/ Linsenkopfschraube:	Steel, Ni
Mounting material/ Montagematerial:	Steel, Ni

**Materials D-SUB Male 9pos./
Werkstoffe D-SUB Stift 9pol.:**

Insulator/ Isolierkörper:	PA 66 GF UL 94 V-0
Shell/ Gehäuse:	Steel, Sn over Ni
Crimp contact/ Crimpkontakt:	Copper alloy, Au over Ni



**Contact assignment/
Kontaktbelegung:**

D-Sub

- 1 black/schwarz
- 2 brown/braun
- 3 red/rot
- 4 orange/orange
- 5 yellow/gelb
- 6 green/grün
- 7 blue/blau
- 8 violet/violett
- 9 grey/grau

Shielding
cable strain relief/
Schirmauflage
Zugentlastung

Part no/ Art.-Nr.:	Length L/ Länge L:	Cable/ Kabel:
16-512330	1,8 m	PVC, grey/grau, 10x0,34 mm ² , LiCY Cable/Kabel: 781-GN31000
16-512340	3 m	
16-512350	5 m	

tolerance of cable/ Kabeltoleranz:	L ≤ 4 m: L + 40 mm L > 4 m: L + 1 %	dim. in mm	D-Sub Male 9pol. in SnapLock hood with cable and mounting material D-Sub Stift 9pol. in SnapLock Haube mit Kabel und Befestigungsmaterial	dwg no / Z.-nr.: 16K1A4393	DIN- A3			
general tolerance/ Allgemeintoleranz:	0 ± 0,50 mm 0,0 ± 0,25 mm 0,00 ± 0,10 mm ∞ ± 5°							
Index: b 09.04.2025 JLE	Scale/ Maßstab: 2:1	<table border="1"> <tr> <th>Date/Datum</th> <th>Name</th> </tr> <tr> <td>25.11.2024</td> <td>Lehmenkühler</td> </tr> <tr> <td>29.11.2024</td> <td>Koch</td> </tr> </table>				Date/Datum	Name	25.11.2024
Date/Datum	Name							
25.11.2024	Lehmenkühler							
29.11.2024	Koch							
			Customer specific product		1 / 1			

The reproduction, distribution and sale of this document as well as the communication of its contents to others without express authorization is prohibited. Otherwise will be held liable for the payment of damages. We reserve the right to change specifications without notice.