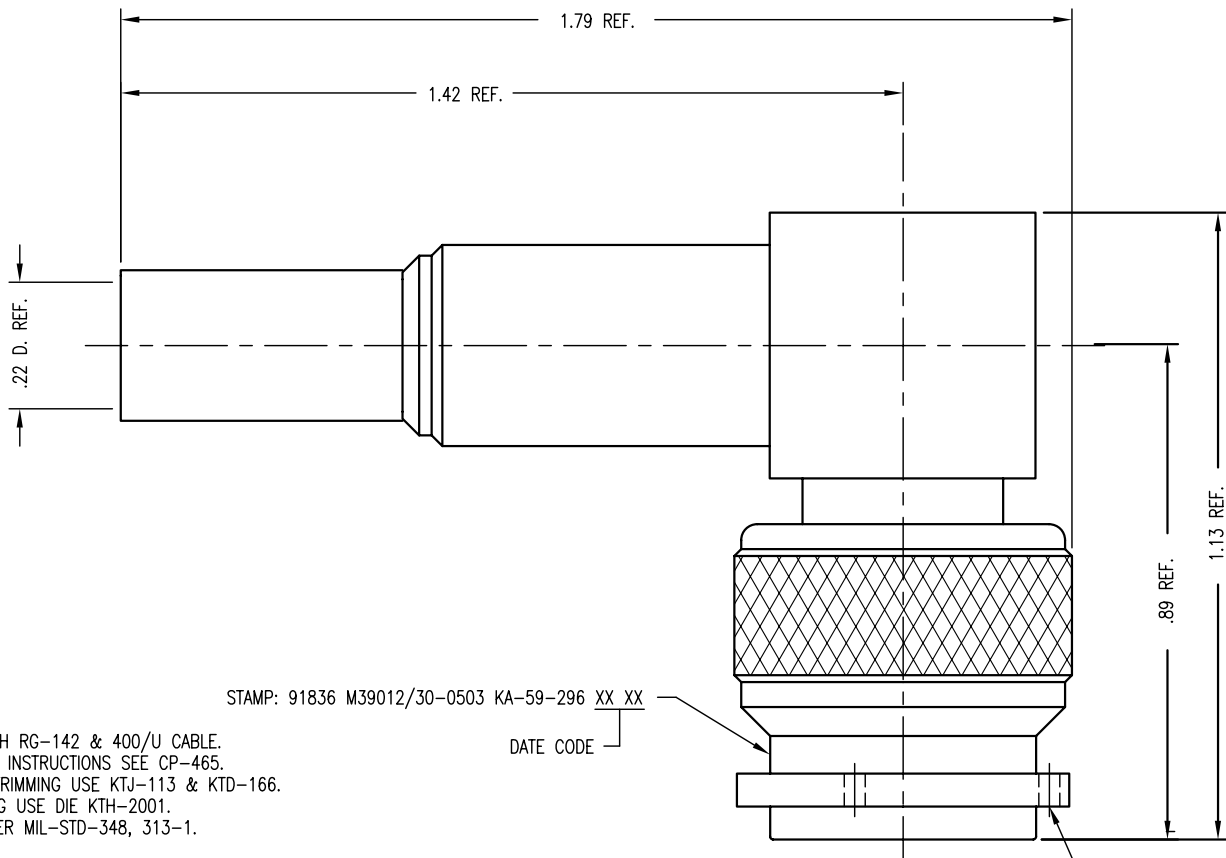


DASH NO.	M CODE	MADE FROM
----------	--------	-----------



NOTES:

- FOR USE WITH RG-142 & 400/U CABLE.
- FOR CABLING INSTRUCTIONS SEE CP-465.
- FOR CABLE TRIMMING USE KTJ-113 & KTD-166.
- FOR CRIMPING USE DIE KTH-2001.
- INTERFACE PER MIL-STD-348, 313-1.
- MATERIALS:  
 INSULATORS: TEFLON, ASTM-D-1457  
 GASKET: SIL. RUB., ZZ-R-765  
 K-GRIP SLEEVE: COM. BRONZE TUBE, ALLOY 220  
 OUTER CONTACT }  
 CRIMP CONTACT } BER. COP., ASTM-B-196  
 ALL OTHER PARTS: BRASS, ASTM-B16
- FINISHES:  
 CENTER CONTACTS: HARD GOLD PLT. PER MIL-G-45204  
 ALL OTHER METAL PARTS: SILVER PLT. PER QQ-S-365
- ELECTRICAL CHARACTERISTICS:  
 NOMINAL IMPEDANCE: 50 OHMS  
 VOLTAGE RATING: 500 VRMS  
 FREQUENCY RANGE: DC TO 11 GHz

STAMP: 91836 M39012/30-0503 KA-59-296 XX XX

DATE CODE

.04 D. REF.  
(3 HOLES)

SDKA-59-296

REVISIONS		
ISSUE	CHANGES	
7	CN CHC	28193 A 5 AUG 86
8	CN LNM	32302 A 20 JUN 90
9	CN WJM	32931 E 03/28/91
10	CN JCA	34058 C 09/02/92
11	CN JCA	34481 C 05/12/93
12	CN BDH	38244 C 03/12/01
P	REVISED PER ER22312 GGR 03/03/2010	

JCA0400

CUSTOMER SALES DRAWING

SCALE 4:1	
APPROX SURFACE AREA	
KA-59-296	
USED ON	
REF:	
PLUG, ANGLE, TNC M39012/30-0503	
DRAWN JCA	DATE 12 MAR 90
DESIGN MJB	DATE 20 MAR 90
APPR.	DATE
<small>Winchester Electronics 62 Barnes Industrial Road North Wallingford, CT 06492</small>	

SDKA-59-296