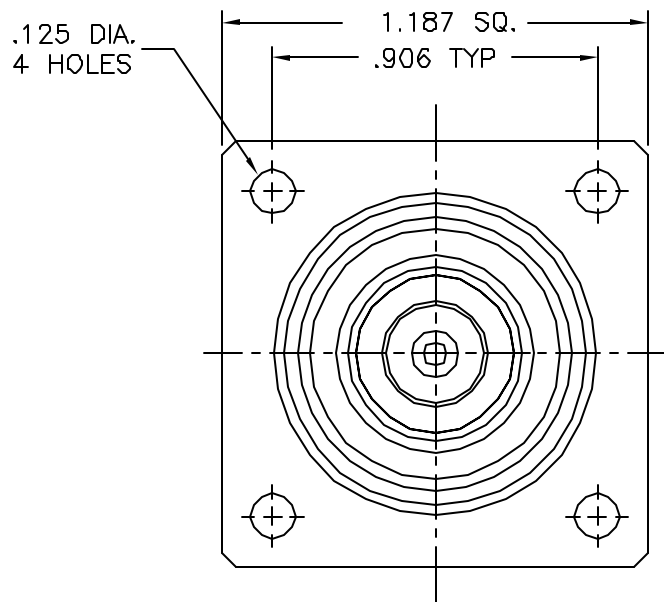
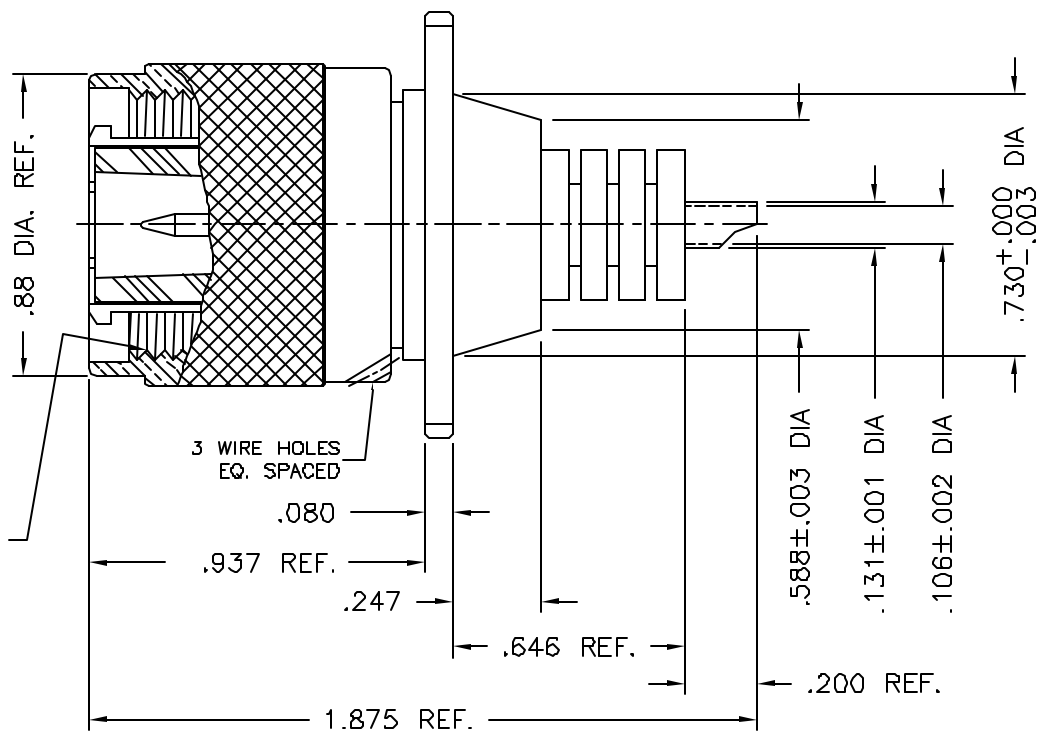




1623-000-A401



3/4-20 UNEF-2B THREAD



**NOTES:**

1. ASSEMBLED CONNECTOR INTERFACE IS DESIGNED IN ACCORDANCE WITH MIL-STD-34B.
2. MATERIAL: INSULATOR - TEFLON PER ASTM D1710  
 GASKET - SILICONE RUBBER PER ZZ-R-765  
 LOCKING RING - PHOSPHOR BRONZE PER QQ-B-750  
 ALL OTHER METAL PARTS - BRASS PER ASTM B16.
3. FINISHES: ALL METAL PARTS -SILVER PLATE PER QQ-S-365.

UNLESS OTHERWISE SPECIFIED: TOLERANCES: 3 PLACES = ±.005, 2 PLACES = ±.02, ANGLES = ±1/2°, SURFACE FINISH = 53

-	OUTLINE	10/21/05
ALT.	REVISIONS	DATE

DELTA ELECTRONICS MFG. CORP. Beverly, MA 01915

TITLE: 'HN' PANEL PLUG RECEPTACLE

Drawn by mr	Scale 2/1	Ckd. by bjm	Engr Appd mr	FILE NAME: 1623000A401-000T
----------------	--------------	----------------	-----------------	--------------------------------

CODE IDENT.-00795 1623-000-A401

THESE DRAWINGS AND SPECIFICATIONS ARE THE PROPERTY OF DELTA ELECTRONICS MFG CORP. AND SHALL NOT BE REPRODUCED, OR COPIED OR USED AS THE BASIS FOR THE MANUFACTURE OR SALE OF APPARATUS OR DEVICES WITHOUT THEIR EXPRESS WRITTEN CONSENT.