

# MIL-C-55302

## Materials, Finishes and Specifications

### MATERIALS AND FINISHES

**Connector Body:**

Polyphenylene sulfide per MIL-M-24519, color black

**Contacts:**

Pin contacts:  
copper alloy/brass alloy

Socket contacts:  
beryllium copper alloy

Contact body:  
brass alloy

**Contact Finish:** Per MIL-G-45204

**Guides,**

**Screwlocks:** Stainless steel per QQ-S-763 finish per MIL-F-14072 type Y "D-shaped" guide socket, beryllium copper per QQ-C-530; nickel plated per QQ-N-290

### ELECTRICAL SPECIFICATIONS

**Contact Size:** #22 AWG

**Contact Rating:** 5 amps.

**Test Voltage:** 1000 V rms. 60 Hz at sea level  
300 V rms. 60 Hz at 70,000 ft.

**Insulation**

**Resistance:** 5000 megohms min. @ 500 V DC

**Temperature**

**Range:** -65°C to +125°C

**Other Electrical**

**Characteristics:** Vibration, salt spray, dielectric withstanding voltage, contact resistance, durability, humidity per MIL-C-55302



**Continental Connector Company, Subsidiary Of ASC Group, Inc.**

53 La France Avenue ■ Bloomfield, New Jersey ■ 07003-5632 ■ Phone: (973) 429-8500 ■ FAX: (973) 743-2510

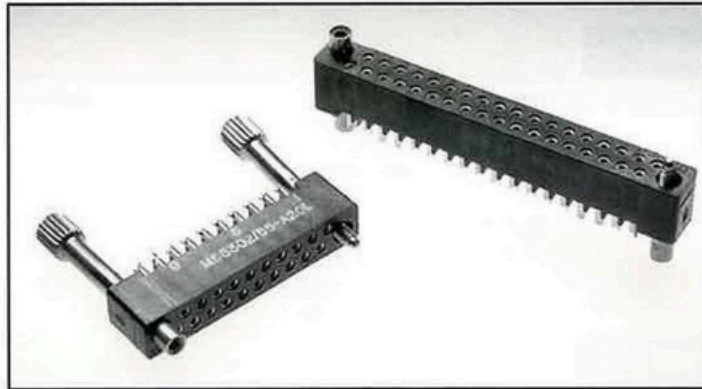
# MIL-C-55302 / 55

## UMR-FF Series

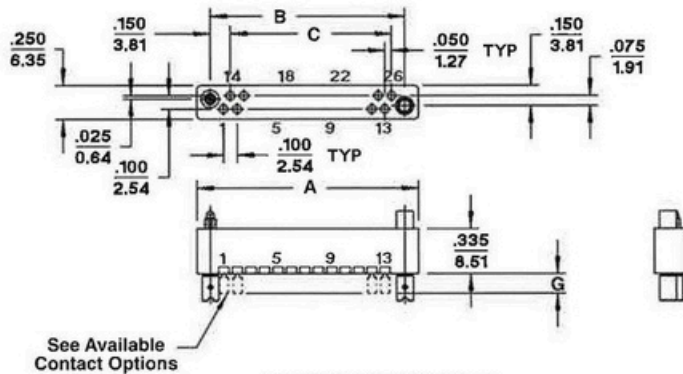
## Female Body / Female Contact: .100" Centers — .050" offset

**Description:** Straight through socket connector without mounting ears.  
 .100" (2.54) centers  
 .050" (1.27) offset

**Contacts:** 10-70  
**Hardware:** See page 3  
**Contact Termination:** See page 3  
**Polarization Configuration:** See page 22  
**Suggested Mounting:** See below



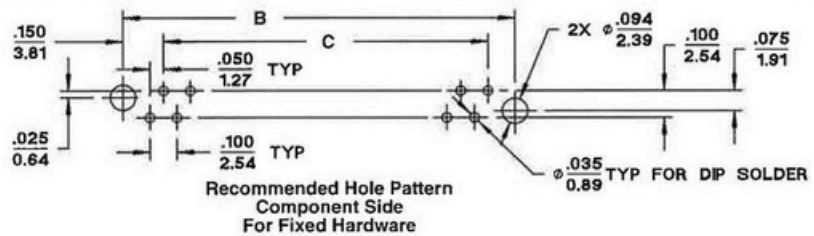
### OUTLINE



UMR026FF2KS shown

### MOUNTING LAYOUT

MIL-C-55302 / 55



### DIMENSIONS

Dimensions are for reference only. Metric equivalents in (mm) are given for general information

# Con- tacts	A	B	C	# Con- tacts	A	B	C
10	.850 (21.59)	.650 (16.51)	.400 (10.16)	44	2.550 (64.77)	2.350 (59.69)	2.100 (53.34)
14	1.050 (26.67)	.850 (21.59)	.600 (15.24)	50	2.850 (72.39)	2.650 (67.31)	2.400 (60.96)
20	1.350 (34.29)	1.150 (29.21)	.900 (22.86)	54	3.050 (77.47)	2.850 (72.39)	2.600 (66.04)
24	1.550 (39.37)	1.350 (34.29)	1.100 (27.94)	56	3.150 (80.01)	2.950 (74.93)	2.700 (68.58)
26	1.650 (41.91)	1.450 (36.83)	1.200 (30.48)	60	3.350 (85.09)	3.150 (80.01)	2.900 (73.66)
30	1.850 (46.99)	1.650 (41.91)	1.400 (35.56)	66	3.650 (92.71)	3.450 (87.63)	3.200 (81.28)
36	2.150 (54.61)	1.950 (49.53)	1.700 (43.18)	70	3.850 (97.79)	3.650 (92.71)	3.400 (86.36)
40	2.350 (59.69)	2.150 (54.61)	1.900 (48.26)				



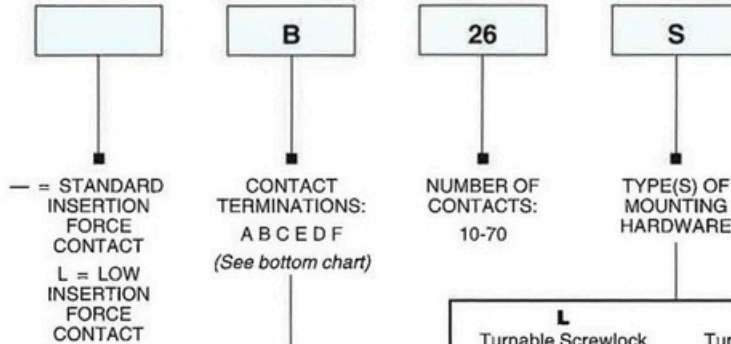
**MIL-C-55302 / 55**

**UMR-FF Series**

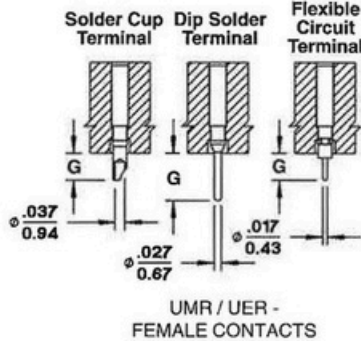
**Female Body / Female Contact: .100" Centers — .050" offset**

**ORDERING INFORMATION**

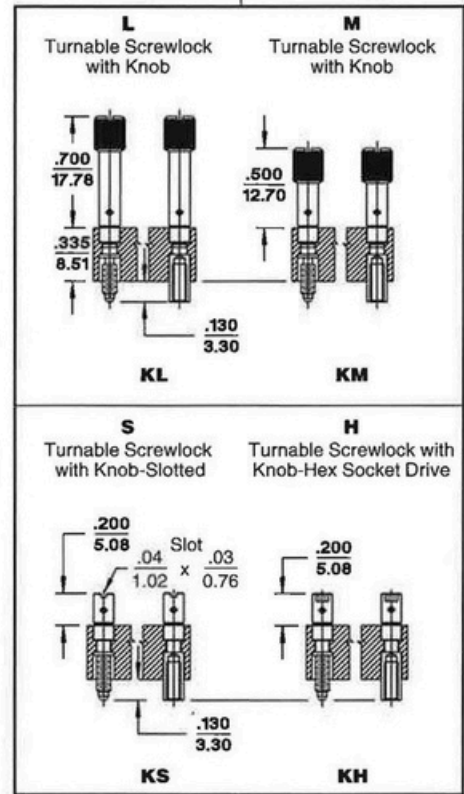
**MIL-C-55302 / 55**



**AVAILABLE CONTACTS**



Contact Style	Terminal Type	Contact Term		Extension G ±.010
		CCC	MIL-C	
Female	Solder Cup	0	A	.100 (2.54)
	Dip Solder	2	B	.140 (3.56)
	Dip Solder	3	C	.172 (4.37)
	Dip Solder	4	E	.234 (5.94)
	Flexible Circuit	5	D	.058 (1.47)
	Flexible Circuit	6	F	.100 (2.54)



**Designation UMR**

RYTON  
POLYPHENYLENE  
SULFIDE  
MIL-M-24519  
TYPE GST-40F  
COLOR BLACK  
STANDARD

**026**

NUMBER OF CONTACTS:  
10-70

**FF**

BODY / CONTACT STYLE DESIGNATION:  
FF = FEMALE SOCKET CONTACT, CLOSED ENTRY

**2**

CONTACT TERMINATION:  
0, 2, 3  
4, 5, 6

**KS**

TYPE (S) OF MOUNTING HARDWARE.  
OTHER TYPES SHOWN ON PG. 24



**Continental Connector Company, Subsidiary Of ASC Group, Inc.**

53 La France Avenue ■ Bloomfield, New Jersey ■ 07003-5632 ■ Phone: (973) 429-8500 ■ FAX: (973) 743-2510