

REVISIONS				
REV	DCR NO.	BY	DATE	APPROVED
13	2006002	L.B.		

TABULATION	
VIKING PART NUMBER	CONDITION
AMC02PA03R	PLUG ASSEMBLY LESS SOCKET CONTACTS
AMC02PA03W	PLUG ASSEMBLY LESS SOCKET CONTACTS
AMC02PA03B	PLUG ASSEMBLY LESS SOCKET CONTACTS
AMC02PA03R-W/C	PLUG ASSEMBLY WITH SOCKET CONTACTS $\triangle 7$
AMC02PA03W-W/C	PLUG ASSEMBLY WITH SOCKET CONTACTS $\triangle 7$
AMC02PA03B-W/C	PLUG ASSEMBLY WITH SOCKET CONTACTS $\triangle 7$

MATERIALS:
 PLUG INSULATOR: THERMOPLASTIC POLYESTER BASE ELASTOMER (TPE)
 COLORS RED, WHITE & BLUE
 MANUFACTURER: RTP COMPANY, 580 EAST FRONT STREET
 WINDONA, MN 55987
 MANUFACTURER PART NUMBER: 1599X71817

CONTACT RETAINING CLIP: BERYLLIUM COPPER, HEAT TREATED
 GROMMET: SILICONE RUBBER, COLOR RED
 PROTECTIVE CAP: POLYETHYLENE, COLOR GREEN

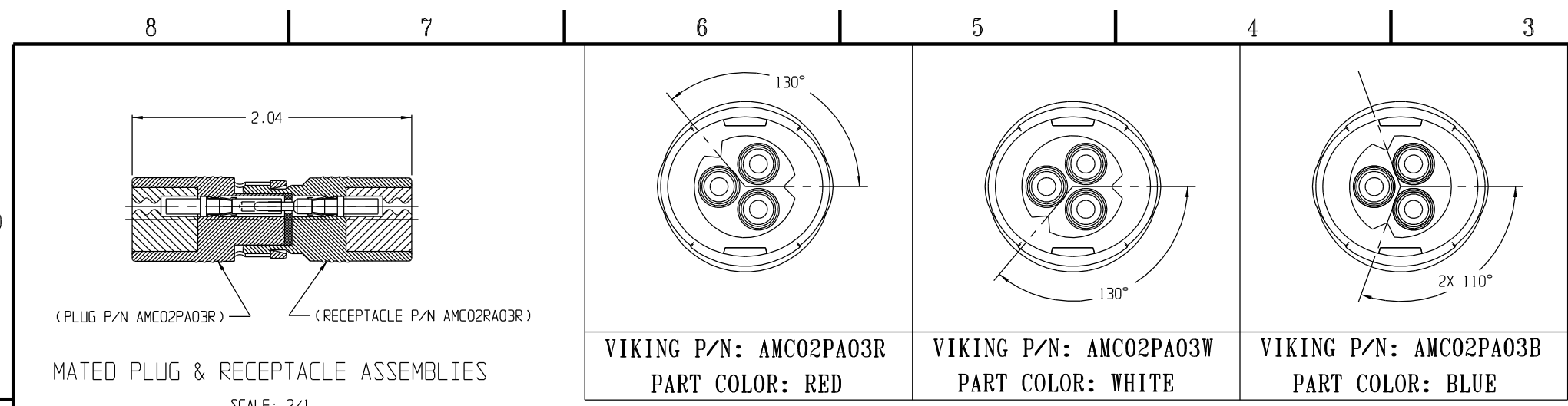
- NOTES:**
- MARKING: EACH PLUG ASSEMBLY WILL BE PERMANENTLY AND LEGIBLY MARKED AS SHOWN WITH THE VIKING NAME, PART NUMBER & DATE CODE, RADIAL LOCATION OPTIONAL.
 - ACCEPTS SIZE 16 SOCKET CONTACT, BACC47CP2T PER BOEING STANDARD BACC47CP, CONTACT NOT SUPPLIED WITH PLUG ASSEMBLY, UNLESS OTHERWISE SPECIFIED.
 - PERFORMANCE CHARACTERISTICS, PACKAGING AND QUALITY ASSURANCE REQUIREMENTS PER VIKING ELECTRONICS, INC. PRODUCT SPECIFICATION PS-AMC02PROO.
 - WEIGHT OF THE PLUG ASSEMBLY WITH PROTECTIVE CAP: .20 OUNCES MAX.
 - A MAXIMUM FLASH OF .005 IS PERMISSIBLE ON THE LOCKING CORNERS SPECIFIED ONLY.
 - A MAXIMUM FLASH OF .008 IS PERMISSIBLE ON THE CORNERS AND EDGES SPECIFIED.
 - THE PLUG ASSEMBLY WITH SOCKET CONTACTS IS PACKAGE INDIVIDUALLY AS A KIT IN PLASTIC BAG THAT IS LABEL WITH THE VIKING PART NUMBER PER THE TABULATION BLOCK. SAMPLE: AMC02PA03R-W/C

CUSTOMER DRAWING

VIKING VIKING ELECTRONICS, INC.
 5455 ENDEAVOUR COURT
 MOJOPARK, CALIFORNIA 93021

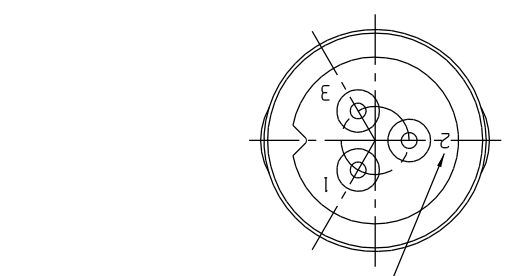
ASSEMBLY, PLUG AIRBORNE MINIATURE CIRCULAR, COLOR RED, WHITE & BLUE		CODE IDEN NO. 05574	SIZE D	REV 13
SCALE 4/1		AMC	SHEET 1 OF 1	

DO NOT SCALE THIS DRAWING	DRAWN CP DATE 9-18-91
TOLERANCES ON ANGLES .XX .XXX $\pm 1^\circ$ $\pm .01$ $\pm .005$	CHECKED R. MUEHLING DATE 9-19-91
	PRODUCT ENGINEER C.S. UNDERHILL DATE 9-19-91
	MFG. ENGINEER G. GLIGORIJEVIC DATE 9-19-97
	QUALITY ASSURANCE L. LABERTEW DATE 9-19-97

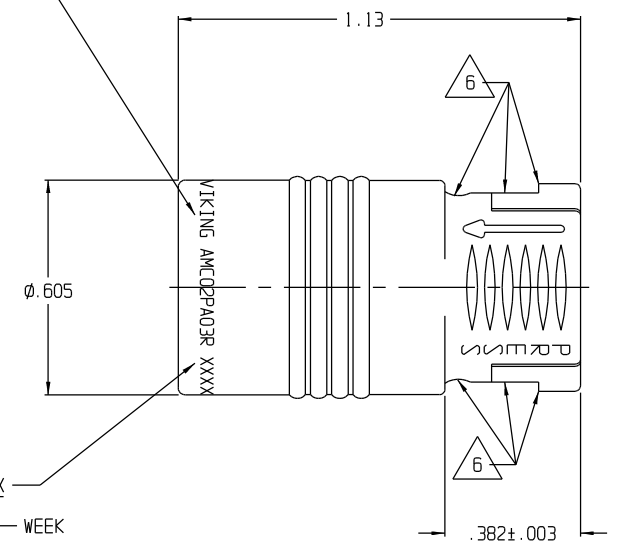


MATED PLUG & RECEPTACLE ASSEMBLIES

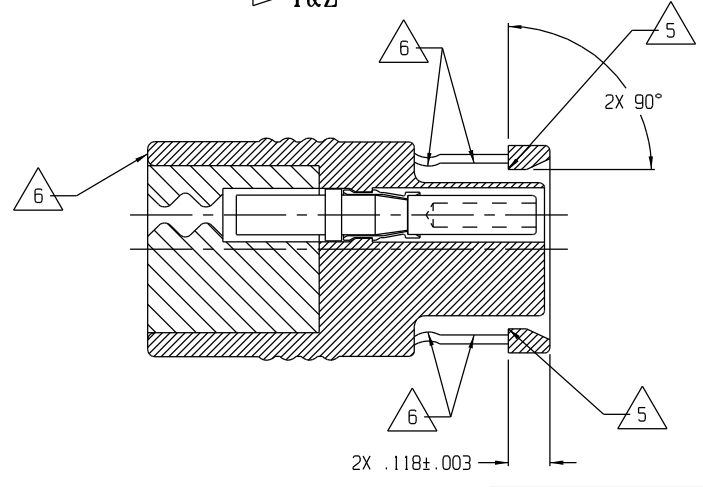
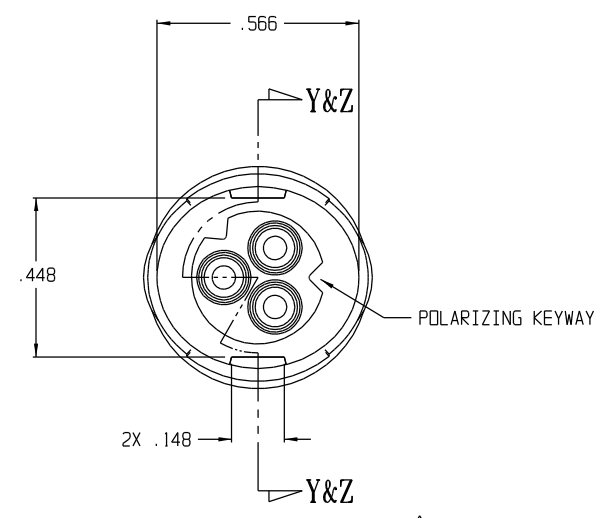
- SCALE: 2/1
- $\triangle 1$ VIKING PART NUMBER (RADIAL LOCATION OPTIONAL)
AMC02PA03R (PART COLOR RED)
AMC02PA03W (PART COLOR WHITE)
AMC02PA03B (PART COLOR BLUE)



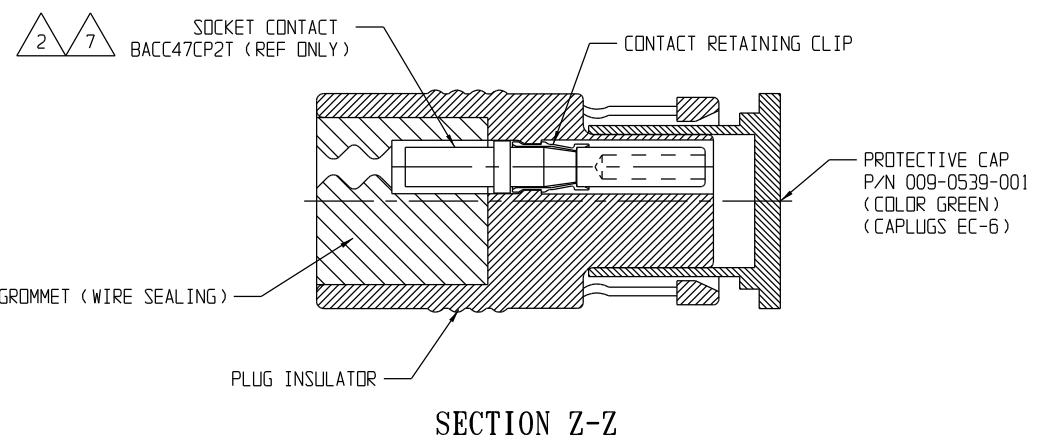
MOLDED RAISED GOTHIC CHARACTERS (CONTACT IDENTIFICATION)



VIKING P/N AMC02PA03R (RED) SHOWN



SECTION Y-Y



SECTION Z-Z