

MIL-C-55302

Materials, Finishes and Specifications

MATERIALS AND FINISHES

Connector Body:

Polyphenylene sulfide per MIL-M-24519, color black

Contacts:

Pin contacts:
copper alloy/brass alloy

Socket contacts:
beryllium copper alloy

Contact body:
brass alloy

Contact Finish: Per MIL-G-45204

Guides,

Screwlocks: Stainless steel per QQ-S-763 finish per MIL-F-14072 type Y "D-shaped" guide socket, beryllium copper per QQ-C-530; nickel plated per QQ-N-290

ELECTRICAL SPECIFICATIONS

Contact Size: #22 AWG

Contact Rating: 5 amps.

Test Voltage: 1000 V rms. 60 Hz at sea level
300 V rms. 60 Hz at 70,000 ft.

Insulation

Resistance: 5000 megohms min. @ 500 V DC

Temperature

Range: -65°C to +125°C

Other Electrical

Characteristics: Vibration, salt spray, dielectric withstanding voltage, contact resistance, durability, humidity per MIL-C-55302



Continental Connector Company, Subsidiary Of ASC Group, Inc.

53 La France Avenue ■ Bloomfield, New Jersey ■ 07003-5632 ■ Phone: (973) 429-8500 ■ FAX: (973) 743-2510

MIL-C-55302 / 62

UMR-MF Series

Male Body / Female Contact: .100" Centers — .050" offset

Description: Straight through socket connector without mounting ears.
 .100" (2.54) centers
 .050" (1.27) offset

Contacts: 10-70

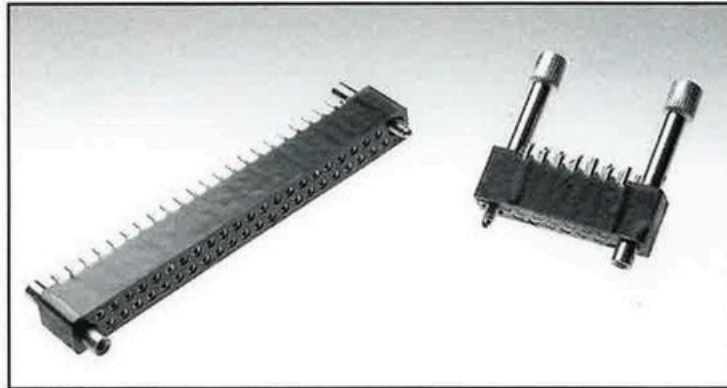
Hardware: See page 17

Contact Termination: See page 17

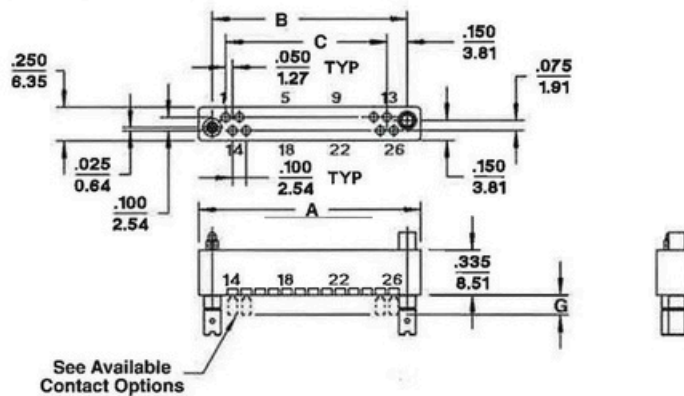
Polarization: See page 22

Configuration: See page 22

Suggested Mounting: See below



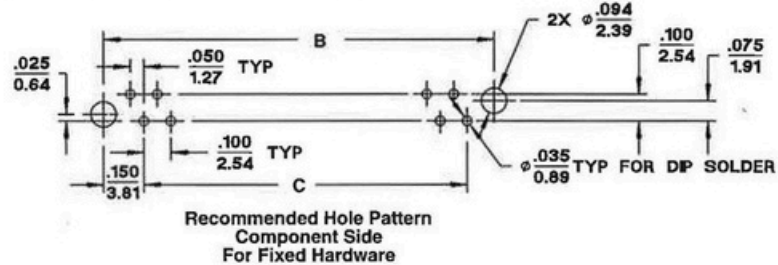
OUTLINE



UMR026MF2KS shown

MOUNTING LAYOUT

MIL-C-55302 / 62



DIMENSIONS

Dimensions are for reference only.
 Metric equivalents in (mm) are given for general information.

# Contacts	A	B	C	# Contacts	A	B	C
10	.850 (21.59)	.650 (16.51)	.400 (10.16)	44	2.550 (64.77)	2.350 (59.69)	2.100 (53.34)
14	1.050 (26.67)	.850 (21.59)	.600 (15.24)	50	2.850 (72.39)	2.650 (67.31)	2.400 (60.96)
20	1.350 (34.29)	1.150 (29.21)	.900 (22.86)	54	3.050 (77.47)	2.850 (72.39)	2.600 (66.04)
24	1.550 (39.37)	1.350 (34.29)	1.100 (27.94)	56	3.150 (80.01)	2.950 (74.93)	2.700 (68.58)
26	1.650 (41.91)	1.450 (36.83)	1.200 (30.48)	60	3.350 (85.09)	3.150 (80.01)	2.900 (73.66)
30	1.850 (46.99)	1.650 (41.91)	1.400 (35.56)	66	3.650 (92.71)	3.450 (87.63)	3.200 (81.28)
36	2.150 (54.61)	1.950 (49.53)	1.700 (43.18)	70	3.850 (97.79)	3.650 (92.71)	3.400 (86.36)
40	2.350 (59.69)	2.150 (54.61)	1.900 (48.26)				



Continental Connector Company, Subsidiary Of ASC Group, Inc.

53 La France Avenue ■ Bloomfield, New Jersey ■ 07003-5632 ■ Phone: (973) 429-8500 ■ FAX: (973) 743-2510

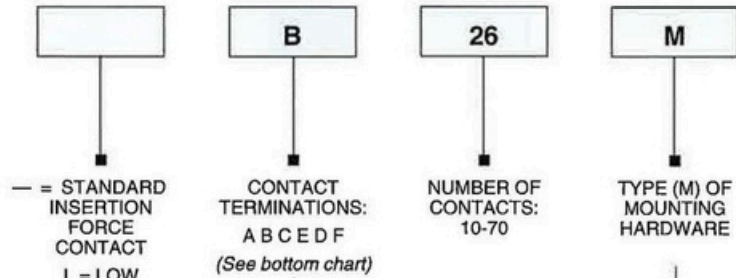
MIL-C-55302 / 62

UMR-MF Series

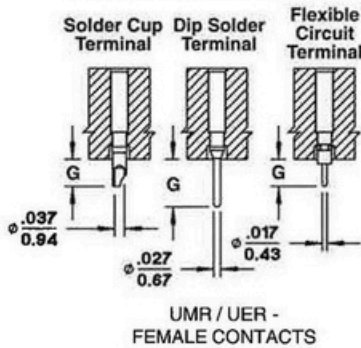
Male Body / Female Contact: .100" Centers — .050" offset

ORDERING INFORMATION

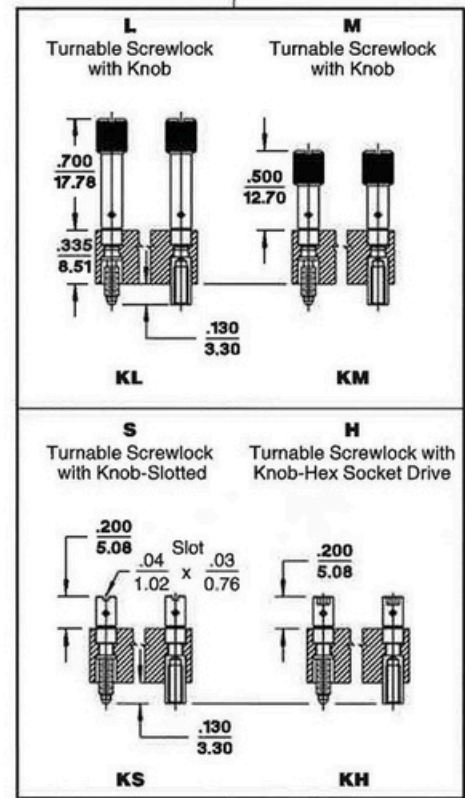
MIL-C-55302 / 62



AVAILABLE CONTACTS



Contact Style	Terminal Type	Contact Term		Extension G ±.010
		CCC	MIL-C	
Female	Solder Cup	0	A	.100 (2.54)
	Dip Solder	2	B	.140 (3.56)
	Dip Solder	3	C	.172 (4.37)
	Dip Solder	4	E	.234 (5.94)
	Flexible Circuit	5	D	.058 (1.47)
	Flexible Circuit	6	F	.100 (2.54)



Designation UMR

RYTON
POLYPHENYLENE
SULFIDE
MIL-M-24519
TYPE GST-40F
COLOR BLACK
STANDARD

026

NUMBER OF CONTACTS:
10-70

MF

BODY / CONTACT STYLE DESIGNATION:
MF-MALE BODY
FEMALE SOCKET CONTACT,
CLOSED ENTRY

2

CONTACT TERMINATION:
0, 2, 3
4, 5, 6

KM

TYPE OF MOUNTING HARDWARE.
OTHER TYPES SHOWN ON PG. 24



Continental Connector Company, Subsidiary Of ASC Group, Inc.

53 La France Avenue ■ Bloomfield, New Jersey ■ 07003-5632 ■ Phone: (973) 429-8500 ■ FAX: (973) 743-2510