

HIGH DENSITY NEXUS RANGER BREAK-AWAY OUTSIDE PANEL MOUNT JACK

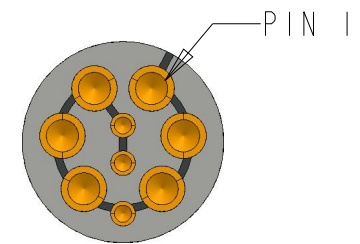
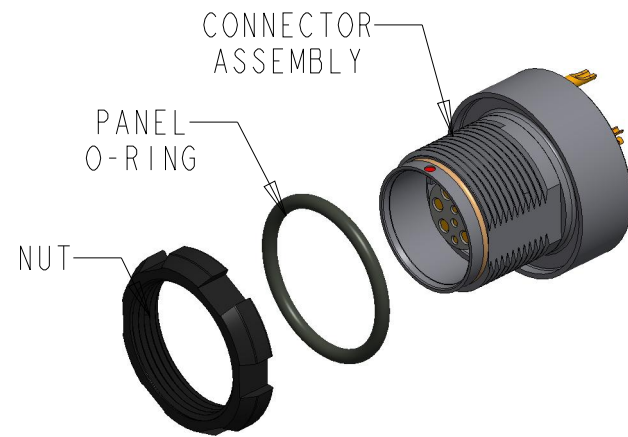
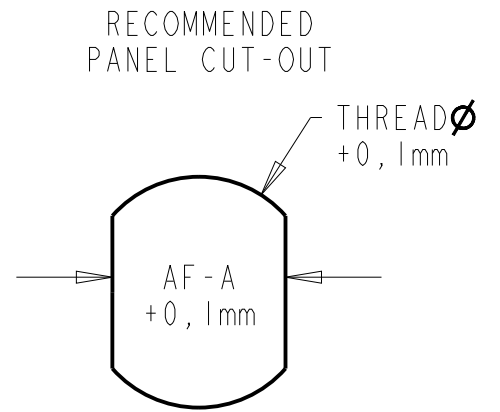
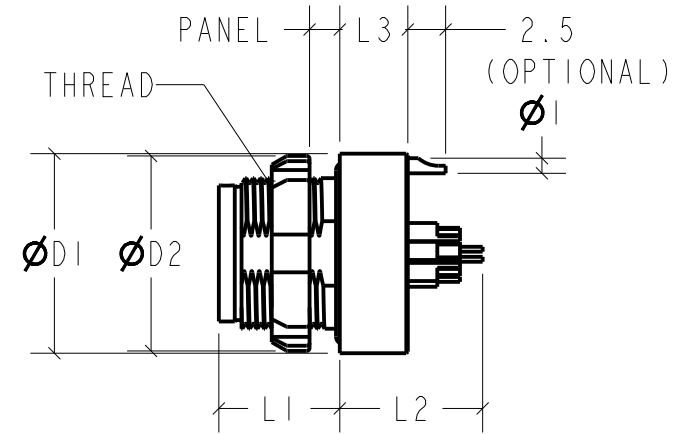
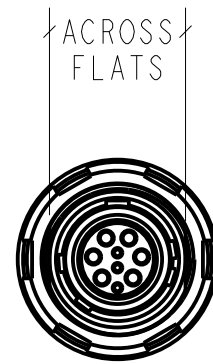


SIZE 0



SIZE 1

SIZE	L1	L2	L3	ØD1	ØD2	ØD3	AF-A	THREAD	PANEL
0	.315" [8,0]	.34" [8,7]	.18" [4,5]	.52" [13,2]	.51" [13,0]	.39" [10,0]	.35" [9,0]	M10x0,50	.15" [4,0]
1	.315" [8,0]	.40" [10,2]	.18" [4,5]	.60" [15,3]	.59" [15,0]	.47" [12,0]	.45" [11,5]	M12x0,50	.15" [4,0]



PATTERN FOR FEMALE CONTACTS
9-PIN SHOWN FOR REFERENCE

SPECIFICATIONS

INGRESS RATING	IP68/1m IP69k WHEN MATED
OPERATING TEMPERATURE	-51°C TO 125°C
CORROSION RESISTANCE	96Hr SALT FOG
MECHANICAL ENDURANCE	5,000 MATING CYCLES
CONTACT RESISTANCE	PIN TO PIN - <10mΩ
	SHELL TO SHELL - <5mΩ
INSULATION RESISTANCE	>100MΩ
SHIELDING EFFECTIVENESS	>65dB
CONTACT MATERIAL	GOLD PLATED BRASS ALLOY

NOTES:

- BREAK-AWAY NON-LOCKING MATING
- STANDARD PLATING IS CONDUCTIVE RUTHENIUM
- GROUND TAG IS PROVIDED FOR TERMINATION OF SHIELD TO SHELL
- KEYING MUST MATCH MATING CONNECTOR

KEYING CONFIGURATIONS

PATTERN OF MALE CONNECTOR SHOWN AT CONTACT END

A - BROWN	B - RED	C - BLUE	D - GREEN



THIS DOCUMENT CONTAINS PROPRIETARY INFORMATION OF NEXUS, INCORPORATED AND SUCH INFORMATION MAY NOT BE DISCLOSED TO OTHERS FOR ANY PURPOSE OR USED FOR ANY PURPOSE WITHOUT THE WRITTEN CONSENT OF NEXUS.

DWN. BY BAM				DATE 10/05/2023		MATERIAL		NEXUS STAMFORD, CONN SIZE B DWG. NO. NX-GKXW	
CHECKED BY				DATE		FINISH			
APPR. BY				DATE		WEIGHT SCALE = 2:1			
UNLESS OTHERWISE SPECIFIED: DIMENSIONS ARE IN INCHES &/OR [mm] TOLERANCES:						TITLE HIGH DENSITY RANGER BREAKAWAY PANEL MOUNT JACK			
AI	UPDATE DIMS TABLE		10/27/2023	DECIMAL	.XX[X,X] .XXX[X,XX]	DO NOT SCALE DWG.		SHEET 1 OF 1	
A	NEW RELEASE		10/05/2023	FRACTION	± X/XX"				
LET.	REVISION	CN #	DATE	CHK	ANGLES	± X°			